

LIQUID SOAP DISPENSER L 109



148 x 298 x 130 mm

950 ml soap bottle

- Full metal housing in robust, easy-to-clean stainless steel AISI 316L, satin finished, all corners fully welded, tapered front with vertical curved recess.
- Designed for 950 ml soap bottle, refillable with new screw cap (available from Wagner-EWAR).
- Square perforations to indicate refill level.
- Housing door swings down for refilling.
- Dispenser with drip-free, single-hand pull-operation soap pump.
- Dispenser lockable with cylinder lock.
- Easy to clean due to optimum accessibility.
- Simple mounting: line up with tiles and fasten with 4 screws.

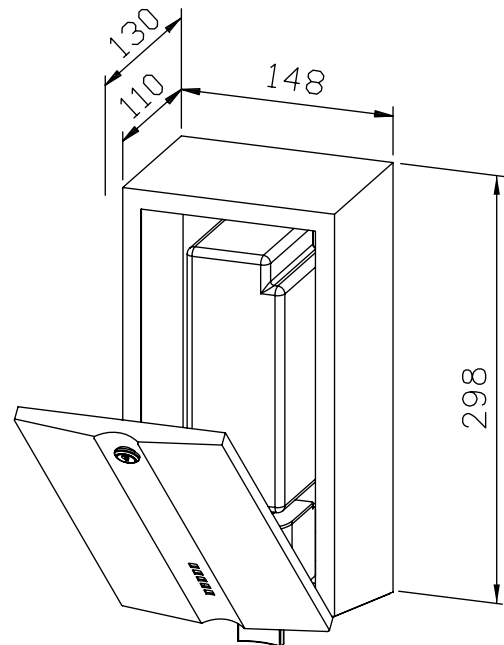


Suggested text for specifications:

Liquid soap dispenser in stainless steel AISI 316L for surface mounting, satin finish, lockable with cylinder lock. Tapered front with vertical curved recess.

Dimensions 148 x 298 x 130 mm;
for 950 ml soap bottles; includes
mounting components and first fill.

Article No. L 109



Available surfaces

Ident-No.

satin finished (standard)

828 500

(coloured) plastic powder - coating

829 500

Ernst Wagner GmbH & Co. KG

Ernst-Abbe-Straße 21 · D-72770 Reutlingen · Tel.: +49712151539-0 · Fax: -20
info@wagner-ewar.de · www.wagner-ewar.de

WAGNER
EWAR